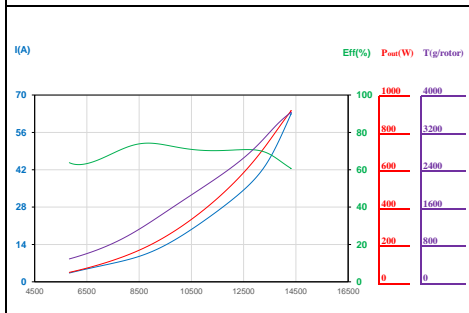
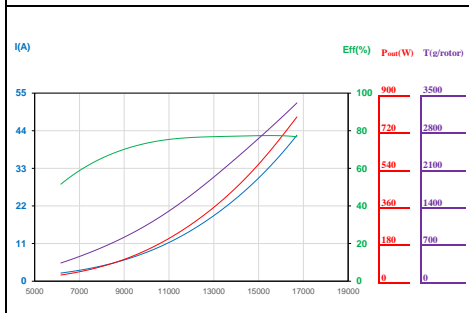
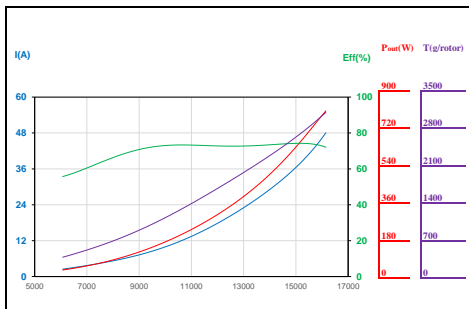


XRotor-3110 900KV Specification (规格)

Rated Voltage (LiPo) 工作额定电压 (LiPo)	4-6S
No-Load Current 空载电流	2.2A/24V
Maximum Continuous Current 最大连续电流	63A/10s
Maximum Continuous Rating 最大连续功率	1500W/10s
Maximum propeller pull 最大螺旋桨拉力	3626g
Motor Size 电机尺寸	Φ 37.2 * 27mm
Shaft Diameter 出轴轴径	D5+H5
Shaft Length 出轴长度	16mm
Screw Diameter / Thread 底座螺纹	Φ 19mm-4*H3

KV KV值	900KV
Resistance 相间内阻	59mΩ
Motor Weight 电机重量	89g
Pole/Slot 槽极数	12N14P
Motor Lead Type 线号	18AWG
Motor Lead Length 出线长度	250mm
Enamelled Wire Insulation Class 漆包线绝缘等级	耐200°C高温 H级
Recommended ESC 推荐电调	XRotor FPV-G2-65A-4in ECS
Propeller 螺旋桨	6S:HQ8x4.5x3;HQ9x4x3;HQ9x5x3

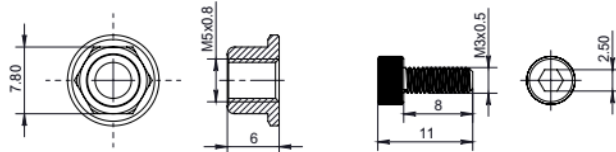
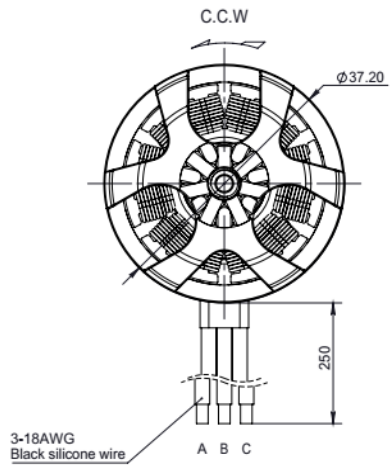
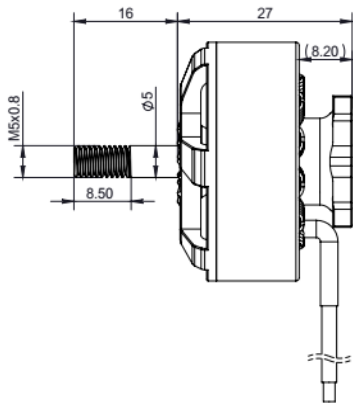
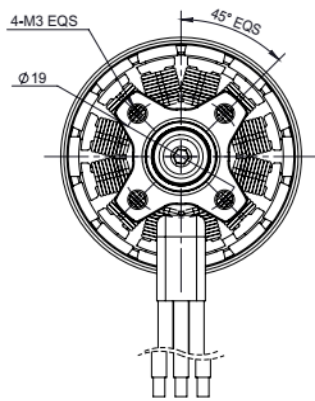
Load Performance 负载性能参数



Voltage(V) 工作电压	Propeller 螺旋桨	Throttle (%) 油门	Thrust(g) 拉力	Current(A) 电流	Power(W) 输入功率	Speed(RPM) 转速	Efficiency(g/W) 效率	Recommended full load continuous running time 推荐满载油门连续运行时间
24V (6S LIPO)	HQ8x4.5x3 Propeller	40%	632	4.7	112	7664	5.62	31s
		50%	1004	8.3	199	9425	5.05	
		60%	1408	13.2	317	10948	4.44	
		70%	1837	19.7	473	12386	3.88	
		80%	2301	28.0	671	13827	3.43	
		90%	2783	37.9	908	15162	3.06	
		100%	3201	48.1	1153	16147	2.78	
24V (6S LIPO)	HQ9x4x3 Propeller	40%	588	4.2	100	7786	5.87	36s
		50%	944	7.4	179	9579	5.29	
		60%	1358	11.9	286	11183	4.75	
		70%	1829	17.7	425	12682	4.30	
		80%	2351	25.2	604	14171	3.89	
		90%	2884	34.2	821	15605	3.51	
		100%	3318	42.7	1023	16713	3.24	
24V (6S LIPO)	HQ9x5x3 Propeller	40%	794	6.7	161	7375	4.94	10s
		50%	1282	11.1	267	8938	4.80	
		60%	1757	17.8	428	10218	4.10	
		70%	2238	26.6	639	11509	3.51	
		80%	2787	37.0	887	12774	3.14	
		90%	3355	50.9	1222	13753	2.75	
		100%	3626	62.9	1507	14312	2.41	

The above data is measured at room temperature 25°C and sea level height. If the throttle input adjustment tensile force is measured, the full-load full throttle running time should be controlled, otherwise there is a risk of burning the motor.

(以上数据为室温 25°C、海平面高度的环境下,变化油门输入调节拉力测得,应控制满载油门运行时间,否则有烧毁电机的危险。)



3110SL